

LED Wall Sconce

601002-LED

INSTALLATION SHEET

START FROM HERE

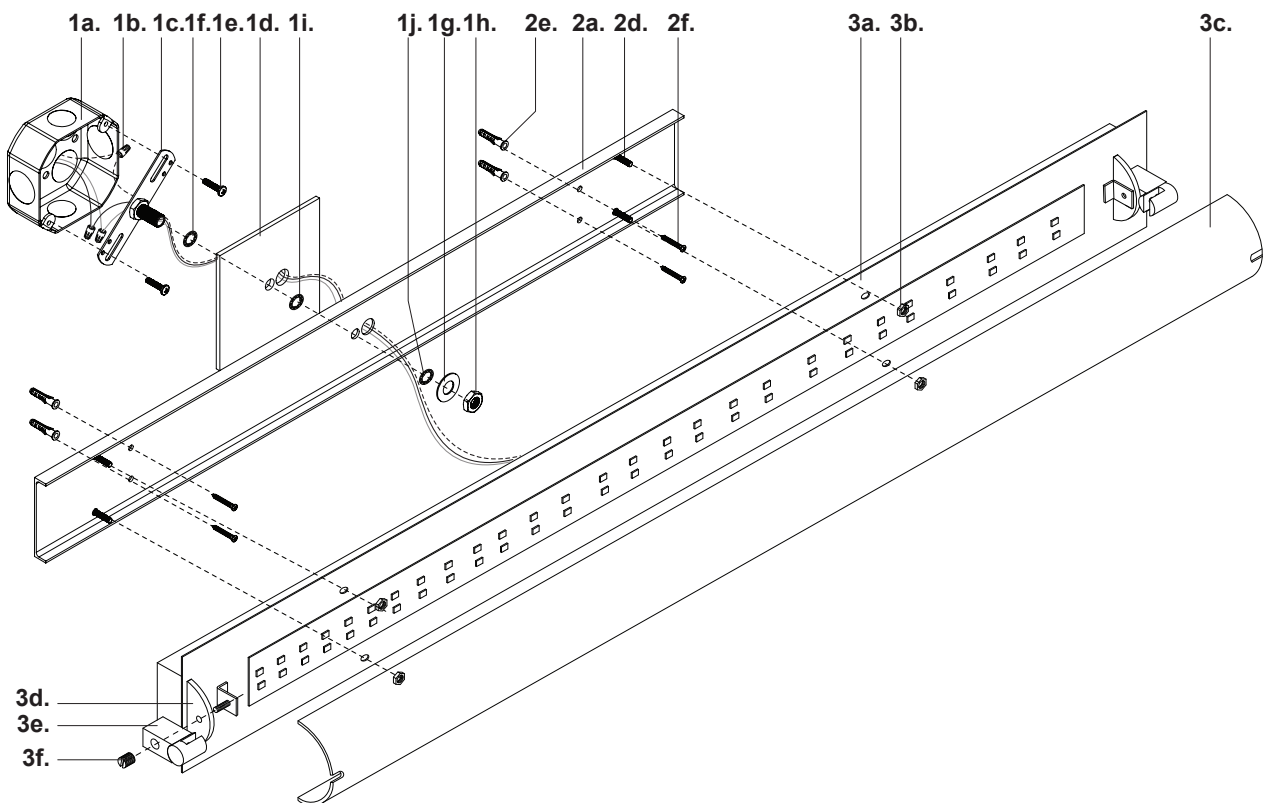
- Make sure **POWER** is **COMPLETELY OFF** at the fuse box
- Have your fixture installed by a qualified licensed electrician
- Prepare everything in a clear area
- Wear gloves at all times during this installation
- Read instructions carefully before you start assembly
- Keep this installation sheet for future reference

Please Note:

- This Kuzco LED fixture comes with pre-wired LED module(s)
- Unless instructed, Do Not touch any part of the LED module(s) as any unnecessary contact with the module could cause permanent damage
- For dimming, an ELV (Electronic Low Voltage) type of dimmer is required
- 120V input

Technical Support: 1-855-855-8926

1. Remove fixture from its original package
2. Separate mounting plate (1c) from cover plate (1d) by removing tooth washers (1i) and separate from backplate (2a) by removing tooth washer (1j), flat washer (1g) and nut (1h)
3. Attach mounting plate (1c) to electrical junction box (1a) using junction box screws (1e) provided in hardware package. Thread tooth washer (1f) to RTN on mounting plate (1c)
4. Secure cover plate (1d) to mounting plate (1c) with tooth washer (1i). Attach backplate (2a) to cover plate (1d) with tooth washer (1j), flat washer (1g) and secure with nut (1h)
5. Secure backplate (2a) to mounting surface with anchors (2e) and screws (2f)
6. Make proper electrical connections (**black to hot "L"**, **white to neutral "N"**, **ground to "GND"**) with wire nuts (1b) provided in hardware package
7. Align and insert backplate screws (2d) through holes on canopy (3a), secure with nuts (3b)
8. Attach glass (3c) to canopy (3a) and install metal end plate (3d), followed by glass holder bracket (3e) and decorative nuts (3f) to secure



KUZCO

19054 28th Avenue Surrey, BC Canada V3Z 6M3
T: 604 538 7162 TF: 1-855 85 KUZCO F: 604 538 7196
W: kuzcolighting.com
20210621